

Static Balancing Valve(DN40-DN500)

Application:

The Series SSV Static Balancing Valve is designed for flow balancing in cooling, heating or process water systems. Its shutoff feature can be instead the Globe valve. It also has the function of locking of maximum range. The function of locking will be opened after its system debugged. If the products need to be repaired, you can close the Static Balancing Valve, and then directly return to the maximum range. It can avoid the second text, save many time and cost. Its measuring joint enable convenient system troubleshooting. Static balancing valve be used in water supply or return water pipe.

Features:

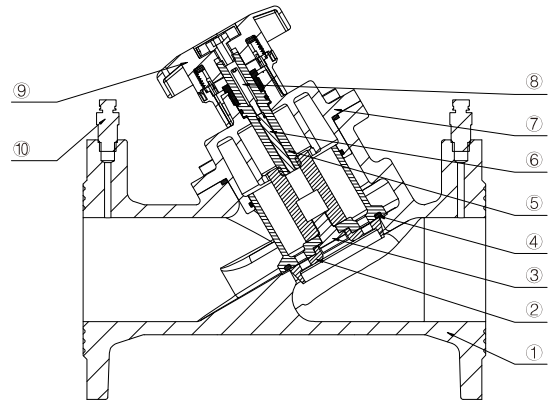
- Accurate flow control
- Numerical indicator of opening rate on the handwheel
- Opening of the lock set position
- Shut-off function achieved by handwheel
- Self-sealing measuring points to protect against leakage



Technical specification:

Diameter: DN40-DN500
 Working Temperature: -10~120°C
 Working Pressure: PN16
 Fluid Medium: Cold and Hot Water / Ethylene
 Connection: Flange Connection
 Connection Standard: EN1092-1/2 GB/T 17241.6-2008
 Materials :

- ①Body: Ductile iron
- ②Valve Core: Ductile Iron/Stainless Steel/ Brass
- ③Screw :Stainless Steel
- ④Sealling: PTFE /EPDM
- ⑤Stem: Brass / Stainless Steel
- ⑥Core Rod: Brass/ Stainless Steel
- ⑦ Bonnet: Ductile Iron
- ⑧Lock Screw: Stainless Steel
- ⑨Handwheel: NylonDN40-DN250
Die-Cast AluminumDN300-DN500
- ⑩Measuring Points: Brass



Technical Parameter:

Product Type:

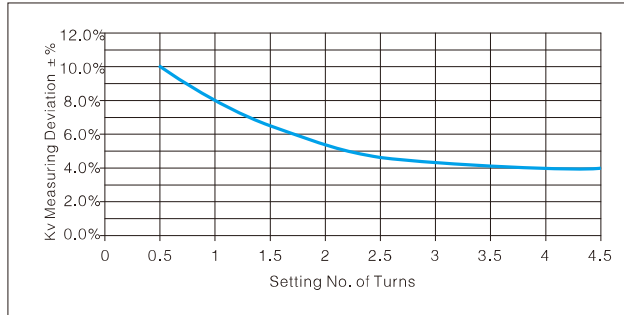
Type	DN	Kvs
SSV040-0FP01	DN40	32.3
SSV050-0FP01	DN50	54.0
SSV065-0FP01	DN65	94.47
SSV080-0FP01	DN80	137.20
SSV100-0FP01	DN100	211.20
SSV125-0FP01	DN125	330.40
SSV150-0FP01	DN150	408.52
SSV200-0FP01	DN200	759.25
SSV250-0FP01	DN250	1162.25
SSV300-0FP01	DN300	1703.30
SSV350-0FP01	DN350	2250
SSV400-0FP01	DN400	2804
SSV450-0FP01	DN450	3750
SSV500-0FP01	DN500	4210

Coding Rules:

S	SUNFLU	S	SV	065-	0F	P01
SV	Static Balancing Valve					
DN						
040-DN40	050-DN50					
065-DN65	080-DN80					
100-DN100	125-DN125					
150-DN150	200-DN200					
250-DN250	300-DN300					
350-DN350	400-DN400					
450-DN450	500-DN500					
0F	Two-way threaded					
PN						
P01	PN16					

Static Balancing Valve(DN40-DN500)

Measuring Accuracy:

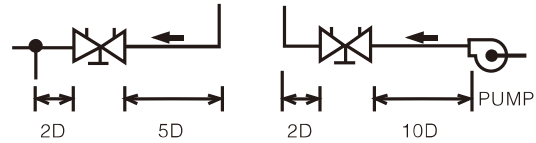


According to the GB/T 28636-2012 standard, when the valve's opening rate is greater than 50%, the deviation is lower than $\pm 5\%$. Based on this, it is suggested to choose a valve with at least 50% opening rate when working under the design flow. Additionally, in order to ensure adequate on-site commissioning allowance, it is recommended to set the valve at around 75% opening rate.

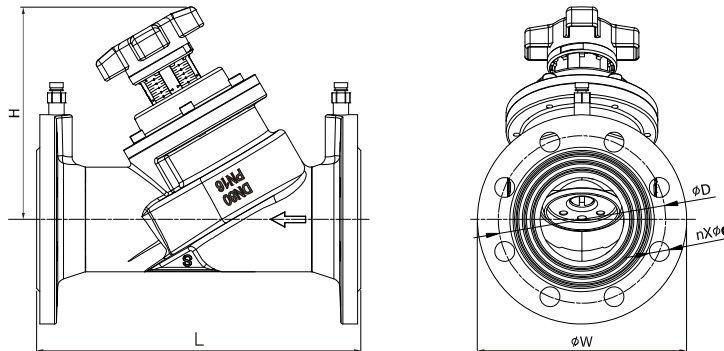
Installation:

People should ensure that there is no debris in the system before installation, please note that static balancing valve with flowing arrow point in the direction of the flow. Static Balancing Valve is usually installed on return pipe. When combined with Differential Pressure Balancing Valve, it can be used for supply pipe.

Generally, when connected to an elbow or a pump, the valve must keep a certain distance from the elbow or the pump. The rule is shown in the right figure. When connecting to a bend or pump, it is necessary to maintain a certain length of straight pipe. When connecting with elbow, follow 5d, rear 2d principle; Follow the 10d principle when connecting with a pump.



Dimension:



DN	L(mm)	H(mm)	W(mm)	D(mm)	nxd(mm)
DN40	200	136	150	110	4X19
DN50	230	152	165	125	4X19
DN65	290	180	185	145	4X19
DN80	310	200	200	160	8X19
DN100	350	220	220	180	8X19
DN125	400	308	250	210	8X19
DN150	480	322	385	240	8X23
DN200	600	420	340	295	12X23
DN250	730	460	405	355	12X28
DN300	850	600	460	410	12X28
DN350	980	614	520	470	16X28
DN400	1100	642	580	525	16X31
DN450	1200	675	640	585	20X31
DN500	1250	713	715	650	20X34